

**WARDS  
SEA KING**

**OUTBOARD  
MOTOR**

**PARTS CATALOG**

**1970**

MW-33

**35**

**O.B.C. CERTIFIED BRAKE H.P. AT 4,750 R.P.M.**

**MODEL**

**VWB-20935A**

**VWB-20936A**

**VWB-27035A**

**VWB-27036A**

10/69

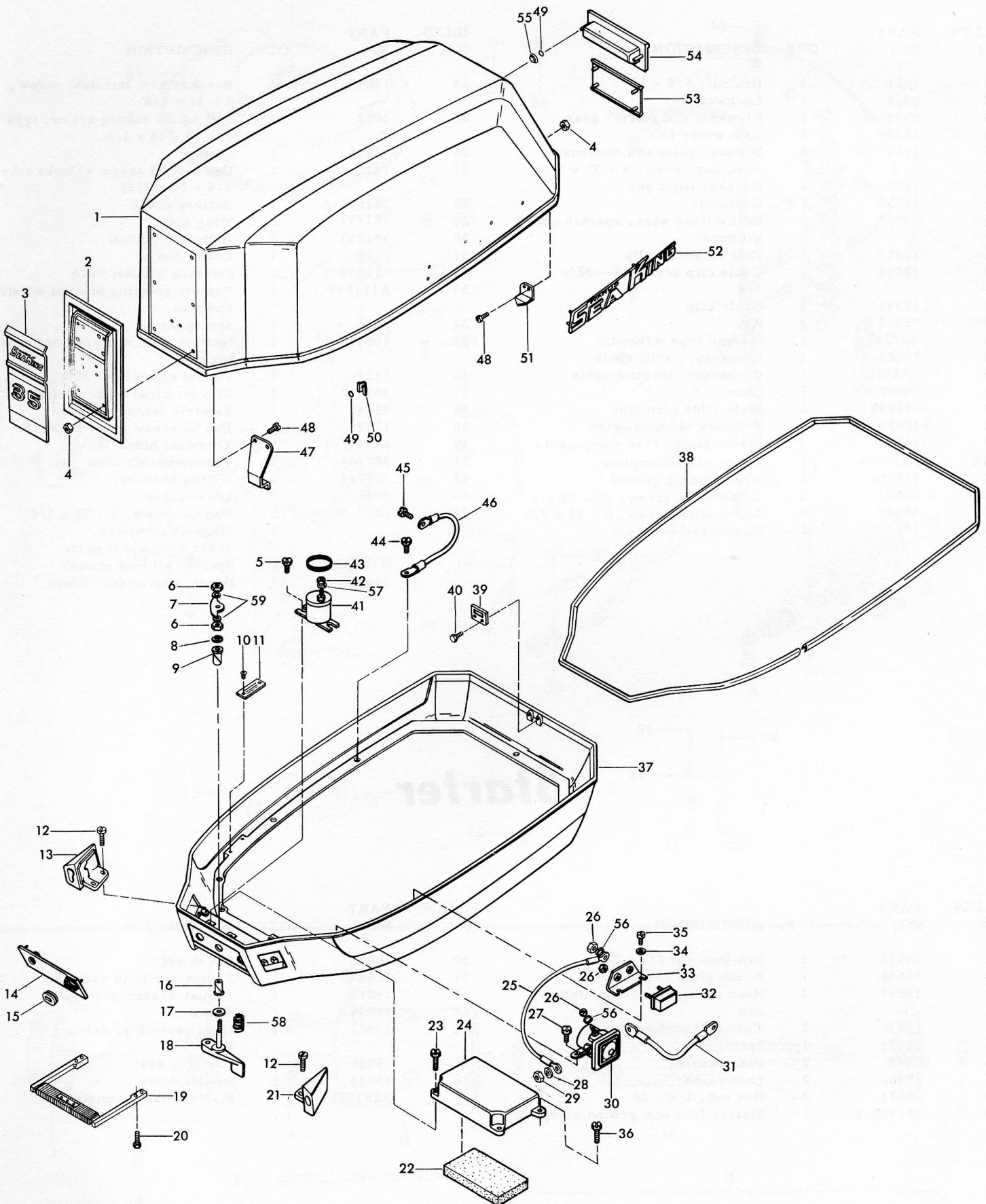
Printed in U.S.A.

***SEA KING***—SOLD EXCLUSIVELY BY ***MONTGOMERY WARD***

# Engine Cover and Support Plate

ILLUS. NO.	PART NO.	QTY.	DESCRIPTION
1	S309712	1	Engine cover w/tilt handle, fasteners, and retainers
2	402512	1	Plate, front
3	402711	1	Plate, insert "35"
4	7011	4	Elastic stop nut, 10 - 24
5	1241	2	Hex hd screw, 1/4 - 20 x 9/16
6	1518	2	Hex nut, S.S., 5/16 - 18
7	89777-1	1	Latch cam
8	73741	1	Retaining ring
9	307818	1	Bearing, latch shaft
10	1293	2	Drive screw, 2 x 3/16
11	A197395-2	1	Plate, identification
12	1733	4	Pan hd screw, 10 - 24 x 9/16
13	402189	1	Bushing, cable entry
14	312888	1	Panel, support plate
15	289899	1	Grommet, battery cable entry
16	307818	1	Bearing, latch shaft
17	8035	1	Plain washer
18	A312763	1	Cover latch handle w/shaft
19	312647	1	Carrying handle
20	1199	4	Hex hd mach. screw, 1/4 - 20 x 1
21	402477	1	Bushing, elec. cable entry
22	307860	1	Intake silencer
23	1198	2	Hex hd mach. screw, 1/4 - 20 x 1
24	A307779	1	Baffle, air intake
25	307683	1	Wire, circuit breaker
26	1513	5	Hex nut, 10 - 32
27	1238	7	Hex hd mach. screw, 1/4 - 20 x 3/4
28	8064	2	Lockwasher
29	1615	2	Hex nut, S.S., 5/16 - 24
30	177917	1	Starter relay
31	307908	1	Wire, starter
32	91460-2	1	Circuit breaker
33	91446-1	1	Circuit breaker bracket
34	8012	2	Plain washer
35	1089	2	Fill hd screw, 10 - 24 x 8/16
36	1201	2	Hex hd mach. screw, 1/4 - 20 x 3/4
37	312038	1	Support plate
38	309756	1	Support plate packing
39	312774	1	Bracket, rear retainer
40	1481	2	Hex screw, 1/4 - 20 x 9/16
41	289924	1	Choke solenoid
42	1647	1	Hex nut, 8 - 32
43	391983	1	Retaining band
44	1578	1	Hex hd mach. screw and spring lock- washer assy., 1/4 - 20 x 7/8
45	1578	1	Hex hd mach. screw and spring lock- washer assy., 1/4 - 20 x 7/8
46	381908-1	1	Ground strap
47	A312778-1	1	Engine cover retainer, forward w/screw and nuts
48	1475	4	Fill hd screw, S.S., 10 - 24 x 1/2
49	85735	31	Seal
50	1753	31	Fastener
51	A312480	1	Engine cover retainer w/screws and nuts
52	401366	2	Plate "SEA KING"
53	402180	1	Trim, rear "35"
54	401269	1	Tilt handle
55	9037	2	Fastener
56	8091	3	Spring L/W
57	8056	1	Spring L/W
58	309300	1	Spring
59	8064	2	Spring L/W
	402385	1	Decal "Electric" (not shown)

# ENGINE COVER AND SUPPORT PLATE



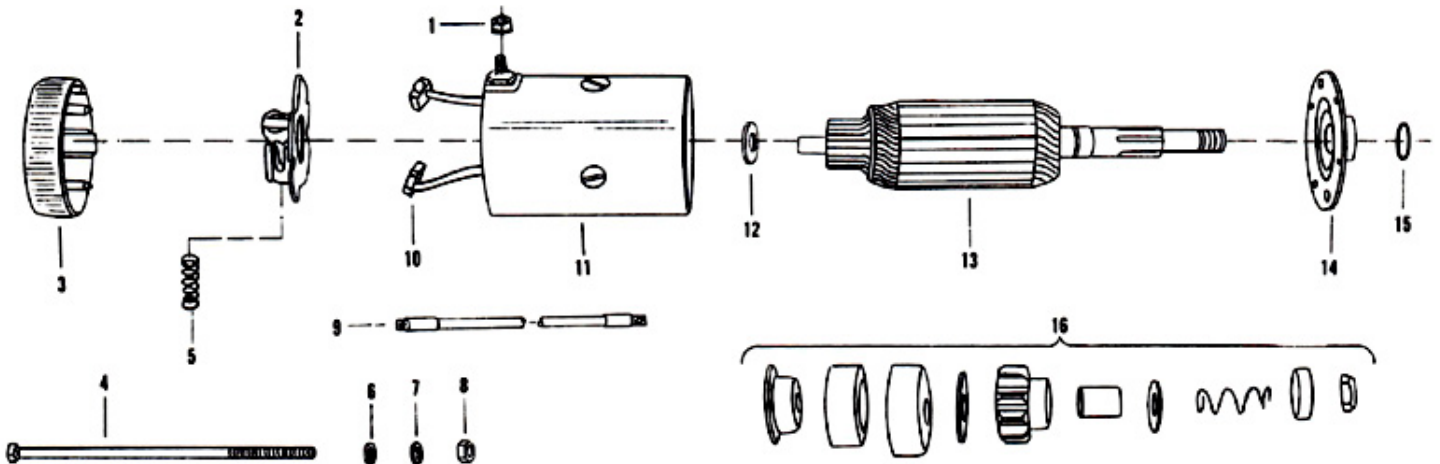
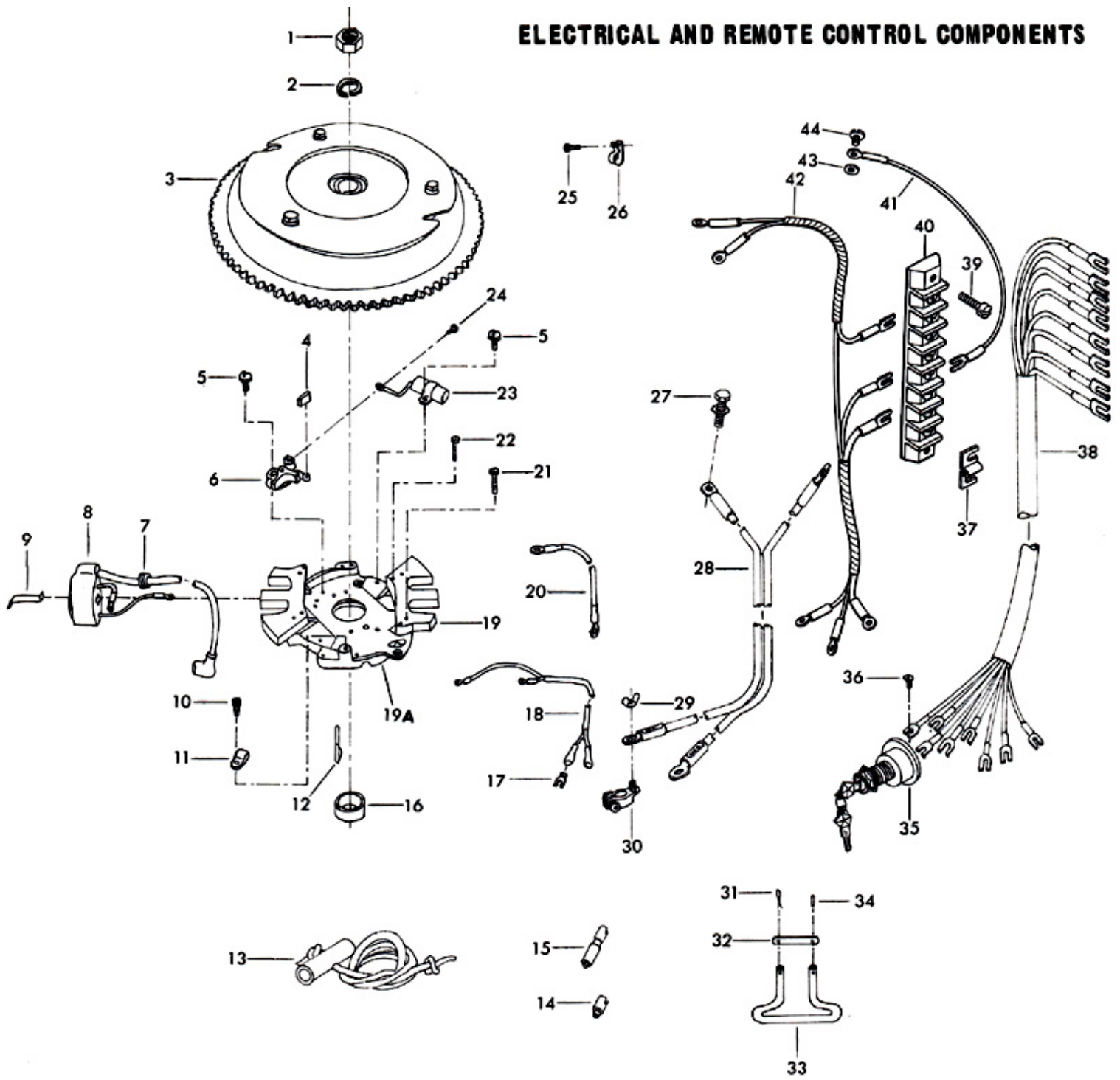
# Electrical and Remote Control Components

ILLUS. NO.	PART NO.	QTY.	DESCRIPTION	ILLUS. NO.	PART NO.	QTY.	DESCRIPTION
1	1881	1	Hex nut, 5/8 - 18	24	12004	2	Breaker arm terminal screw, 6 - 32 x 3/8
2	8068	1	Lockwasher	25	1082	1	Fill hd thd cutting screw, type 23, 10 - 24 x 3/8
3	93097-3	1	Flywheel and starter gear	26	92446	1	Clamp
4	12227	2	Cam wiper felt	27	1426	1	Hex slot hd screw w/lockwasher, 1/4 - 20 x 7/16
5	12014	6	Breaker point and condenser mounting screw, 8 - 32 x 3/8	28	381896-4	1	Battery cable
6	12044	2	Breaker point set	29	381797	2	Wing nut
7	12050	2	Grommet	30	381898	2	Battery terminal
8	12057	2	Coil w/lead wire, sparkie and grommet	31	1020	1	Cotter pin
9	12053	2	Coil retaining clip	32	111694-1	1	Steering bracket latch
10	12016	1	Cable clip screw, 8 - 32 x 1/2	33	A111698-1	1	Remote steering bracket w/latch and pins
11	12246	1	Cable clip	34	8535	1	Spring pin
12	92498	1	Key	35	296918-1	1	Ignition switch w/keys and mounting nuts
13	A27232	1	Starter rope w/handle	36	1724	5	Pan hd screw, 8 - 32 x 1/4
14	58685-2	1	Connector, shift cable	37	307317	1	Clip terminal block ground
15	A58976-1	1	Connector, throttle cable	38	85843	1	Electric control cable,
16	93002	1	Cam	39	1797	2	Pan hd screw, 10 - 24 x 5/8
17	296898	2	Male slide terminal	40	289497-1	1	Terminal block
18	12059	1	Primary terminal wire	41	307104	1	Thermoswitch wire
19	12337	1	Stator plate, less components	42	307744	1	Wiring harness
19A	A338095	1	Stator plate complete	43	8056	1	Lockwasher
20	310664	1	Wire, stator ground	44	1280	1	Pan hd screw, 8 - 32 x 1/4
21	12023	2	Lamination screw, 10 - 24 x 1			1	Magneto complete, order component parts
22	12017	2	Lamination screw, 8 - 32 x 7/8			2	Sparkie kit (not shown)
23	12042	2	Condenser w/mount			1	Decal, wiring (not shown)
					K-750		
					289398		

## Starter

ILLUS. NO.	PART NO.	QTY.	DESCRIPTION	ILLUS. NO.	PART NO.	QTY.	DESCRIPTION
1	15072	1	Hex lock nut 1/4 - 20	10	15042	1	Brush set
2	15038	1	Brush plate and holder	11	15043	1	Frame and field assembly
3	15037	1	Head assembly, commutator end	12	15073	1	Thrust washer package
4	15036	2	Thru bolt package	13	15044	1	Armature
5	15034	1	Spring set	14	15021	1	Head assembly, drive end
6	8028	2	Plain washer	15	15000	1	"O" ring seal
7	15060	2	Lockwasher	16	15013	1	Bendix drive
8	15051	2	Hex nut, 1/4 - 20		A201955	1	Starter motor complete
9	381908-1	1	Starter lead and ground strap				

# ELECTRICAL AND REMOTE CONTROL COMPONENTS



## STARTER

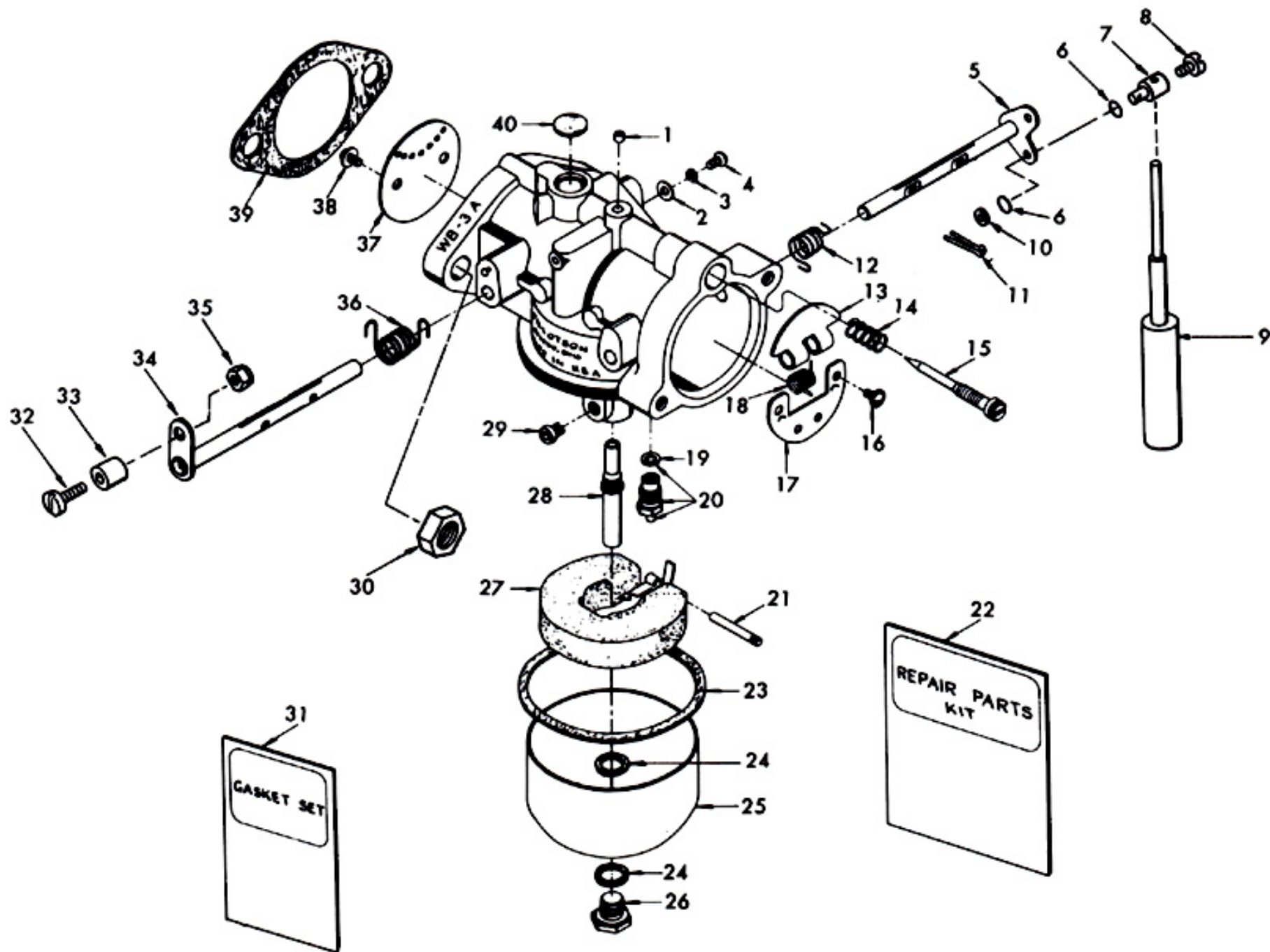
# Carburetor

ILLUS. NO.	PART NO.	QTY.	DESCRIPTION
1	* 010588	1	Body channel cup plug
2	03804	1	Throttle shaft position retaining screw washer
3	06396	1	Throttle shaft position retaining screw lockwasher
4	06393	1	Throttle shaft position retaining screw
5	014298	1	Choke shaft and lever
6	184579	2	Seal, choke arm swivel
7	184033-1	1	Swivel choke rod
8	1059	1	Fill hd screw, 6 - 32 x 1/4
9	A296926	1	Choke solenoid plunger
10	8088	1	Plain washer
11	1014	1	Cotter pin
12	* 013470	1	Choke shaft return spring
13	012251	1	Choke relief valve
14	* 011103	1	Idle mixture screw spring
15	* 014166	1	Idle mixture screw
16	08942	2	Choke shutter retaining screw and lockwasher
17	012250	1	Choke shutter
18	010883	1	Choke relief valve spring
19	010165	1	Inlet seat gasket
20	* 010790	1	Inlet needle, seat and gasket
21	* 013944	1	Float lever pin
22	RK- 904	1	Repair parts kit, includes all items marked with an asterisk (*)
23	013551	1	Fuel bowl gasket
24	02510	2	Fuel bowl retaining screw gasket
25	013552	1	Fuel bowl
26	013945	1	Fuel bowl retaining screw
27	013554	1	Float
28	* 015213	1	Main nozzle
29	* 014303	1	Main fuel jet (.074) (Standard)
30	1516	2	Hex nut, 5/16 - 18
31	* GS-188	1	Gasket set
32	269316	1	Throttle roller shaft
33	92759	1	Roller
34	014277	1	Throttle shaft and lever
35	7011	1	Stop nut, 10 - 24
36	* 014292	1	Throttle shaft return spring
37	014275	1	Throttle shutter
38	* 08942	2	Throttle shutter retaining screw and lockwasher
39	40906-1	1	Flange gasket
40	* 04326	1	Body channel welch plug
	353061	1	Carburetor complete ,(WB-12A) (not shown)
	307314	1	Carburetor elbow (not shown)

## OPTIONAL SIZE MAIN FUEL JET

	<u>Std.</u>	<u>1250-3750</u>	<u>3750-6250</u>	<u>6250-8250</u>
Size	.074	.072	.070	.068
Part No.	014303	015026	013430	013967

# CARBURETOR

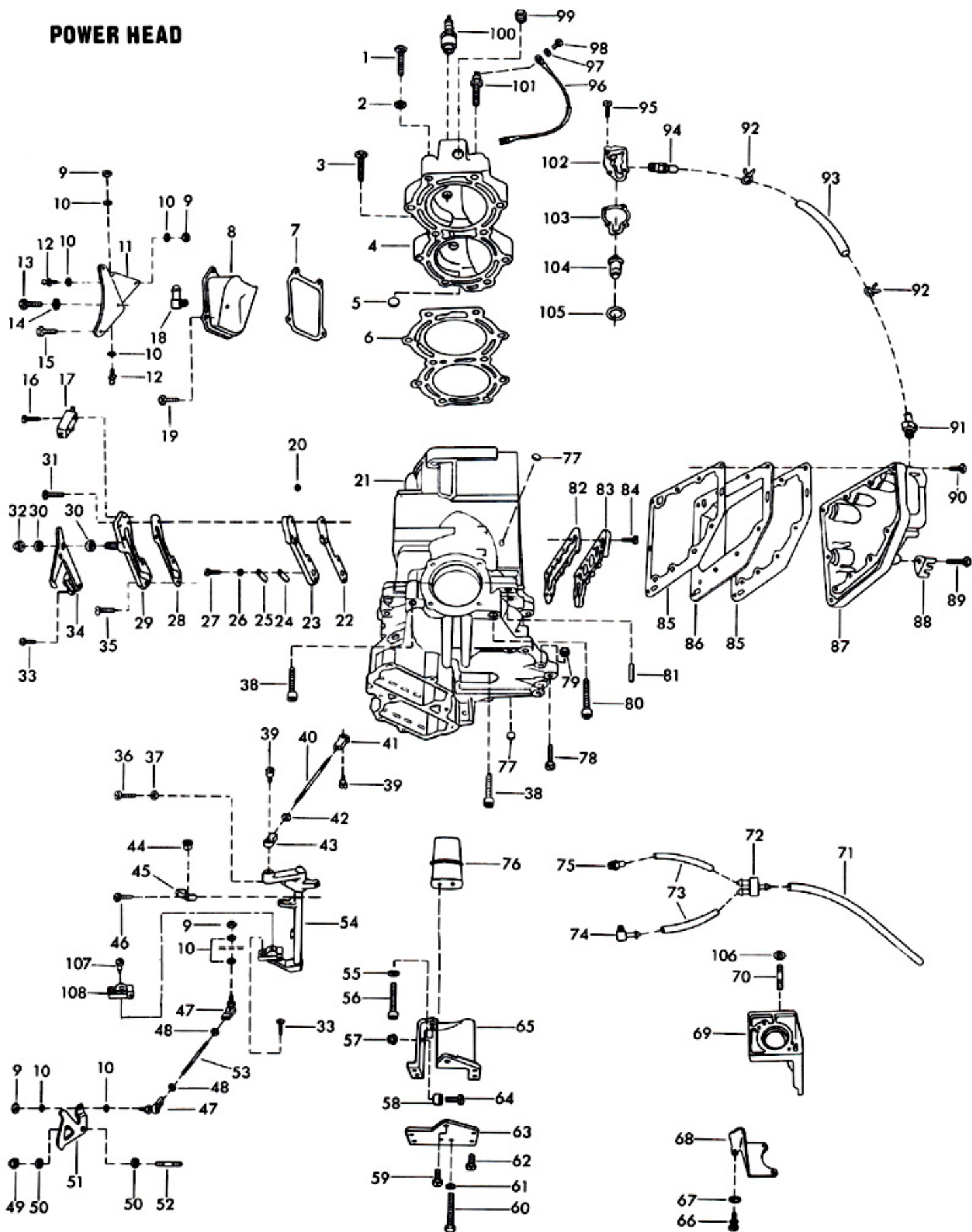


# Power Head

ILLUS. NO.	PART NO.	CTY.	DESCRIPTION	ILLUS. NO.	PART NO.	CTY.	DESCRIPTION
1	1544	8	Hex hd cap screw, 3/8 - 16 x 2 - 1/4	62	1502	4	Hex hd screw, 1/4 - 20 x 5/8
2	8039	9	Plain washer	63	307946	1	Shock mount upper, cover
3	1184	1	Hex hd cap screw, 3/8 - 16 x 2 - 1/2	64	1553	2	Fill hd screw, 8 - 32 x 3/4
4	2A307518	1	Cylinder head w/welch plug	65	307956	1	Shock mount upper engine bracket
5	1526	1	Welch plug	66	1580	2	Hex slot hd screw w/lockwasher, 1/4 - 20 x 1 - 1/8
6	201529-1	1	Cylinder head gasket	67	8025	2	Plain washer
7	40223	2	Transfer port cover gasket	68	402675	1	Starter mounting bracket, lower
8	89222-1	2	Transfer port cover	69	312427	1	Starter mounting bracket
9	1340	4	Hex nut, 10 - 32	70	307211	3	Stud
10	8058	8	Int tooth lockwasher	71	338254	1	Crankcase drain line (long)
11	267371	1	Connector stud bracket	72	A287922	1	Check valve "Y" fitting w/drain lines
12	98273	2	Rod end connector stud	73	A287922	1	Crankcase drain lines (short) w/"Y" fitting and check valves
13	1578	2	Hex slot hd screw, 1/4 - 20 x 7/8	74	366314	1	Elbow
14	8028	1	Plain washer	75	366801	1	Drain fitting
15	1238	1	Hex slot hd screw, 1/4 - 20 x 3/4	76	203965	1	Shock mount upper
16	1654	2	Fill hd screw, 6 - 32 x 7/8	77	1524	2	Welch plug
17	84449	1	Switch, neutral interlock	78	* 1201	12	Hex slot hd screw, 1/4 - 20 x 3/4
18	84314	2	Elbow, fuel line	79	1516	3	Hex nut, 5/16 - 18
19	1481	4	Hex slot hd screw, 1/4 - 20 x 9/16	80	* 1646	1	Hex socket hd cap screw, 3/8 - 16 x 2 - 1/4
20	93811	2	Screen, cylinder drain reed plate	81	* 8559	2	Dowel pin
21	* A307010-2	1	Cylinder w/crankcase cover, deflector plate, screws	82	40867	1	Exhaust water jacket cover gasket
22	93748-1	1	Cylinder drain reed plate gasket	83	40866	1	Exhaust water jacket cover
23	A93757	1	Cylinder drain reed plate w/reeds, reed stops, screws and screen	84	1088	12	Fill hd screw, S.S., 10 - 24 x 9/16
24	18160-1	2	Reed, cylinder drain	85	40154-2	2	Exhaust port plate gasket
25	93920	2	Cylinder drain reed stop	86	40151-1	1	Exhaust port plate
26	8003	2	Plain washer	87	97152-6	1	Exhaust port cover
27	1286	2	Pan hd screw, 4 - 40 x 3/16	88	901834	1	Lead wire clip
28	93472-1	1	Cylinder drain cover gasket	89	1660	5	Hex hd screw, 1/4 - 20 x 2 - 1/8
29	269471	1	Cylinder drain cover	90	1223	4	Hex slot hd screw, 1/4 - 20 x 1 - 1/8
30	269052	2	Shift arm bearing	91	141275	1	Fitting, thermostat
31	1198	2	Hex slot hd screw, 1/4 - 20 x 1	92	97772	2	Clamp
32	7004	1	Stop nut, 7/16 - 20	93	97247-1	1	Water tube, thermostat
33	1083	2	Fill hd screw w/lockwasher 10 - 24 x 3/8	94	97275	1	Fitting, thermostat
34	A338876	1	Shift arm w/clamp and swivel	95	1069	3	Fill hd screw, 10 - 24 x 1 - 1/16
35	1136	2	Flat hd screw, 1/4 - 20 x 1	96	307104	1	Thermoswitch wire
36	1111	1	Fill hd screw, 1/4 - 20 x 7/8	97	8056	1	Lockwasher
37	1490	1	Hex nut, 1/4 - 20	98	1302	1	Pan hd screw, 8 - 32 x 1/4
38	* 1879	3	Hex socket hd cap screw, 3/8 - 16 x 1 5/8	99	328109	1	Pipe plug
39	84026	2	Spark control swivel	100	174227	2	Spark plug (L-4-J)
40	307445	1	Spark control link	101	289449	1	Thermoswitch
41	84036	1	Spark control bearing, L.H.	102	97066-1	1	Thermostat cover
42	1339	1	Hex nut, 10 - 24	103	97067	1	Thermostat cover gasket
43	84035-2	1	Spark control bearing R.H.	104	97068-1	1	Thermostat
44	269689	2	Bearing, tower shaft	105	97504	1	Grommet, thermostat
45	269665	2	Tower shaft bearing cap	106	3064	3	Spring lockwasher
46	1084	4	Fill hd screw, 10 - 24 x 5/8	107	A307887	1	Screw and nut
47	A269141-1	2	Ball joint w/bearing	108	A267020-2	1	Replacement swivel
48	1340	2	Hex nut, 10 - 32		269122	1	Crankcase parting line seal (not shown)
49	7008	1	Elastic stop nut, 1/4 - 20		K-746	1	Engine touch-up paint, spray bomb Metallic Olive Gold
50	269319	2	Throttle cam bearing		K-744	1	Engine touch-up paint, spray bomb Satin Frost White
51	307192	1	Throttle cam		G-457	1	Gasket set (not shown)
52	27209-1	1	Stud, throttle cam		C307010-2	1	Cylinder complete, includes all items marked with an asterisk (*). Also refer to crankshaft page.
53	269193	1	Throttle link				
54	A307838	1	Tower shaft w/clamp and swivel				
55	8065	2	Lockwasher				
56	1253	2	Hex socket hd cap screw 3/8 - 16 x 2				
57	1770	2	Stop nut, 8 - 32				
58	307942-1	2	Bumper				
59	1833	1	Hex hd screw, 1/4 - 20 x 1				
60	1101	2	Fill hd screw w/lockwasher, 1/4 - 20 x 1 3/4				
61	8063	2	Lockwasher				



# POWER HEAD



# Crankshaft and Piston Group

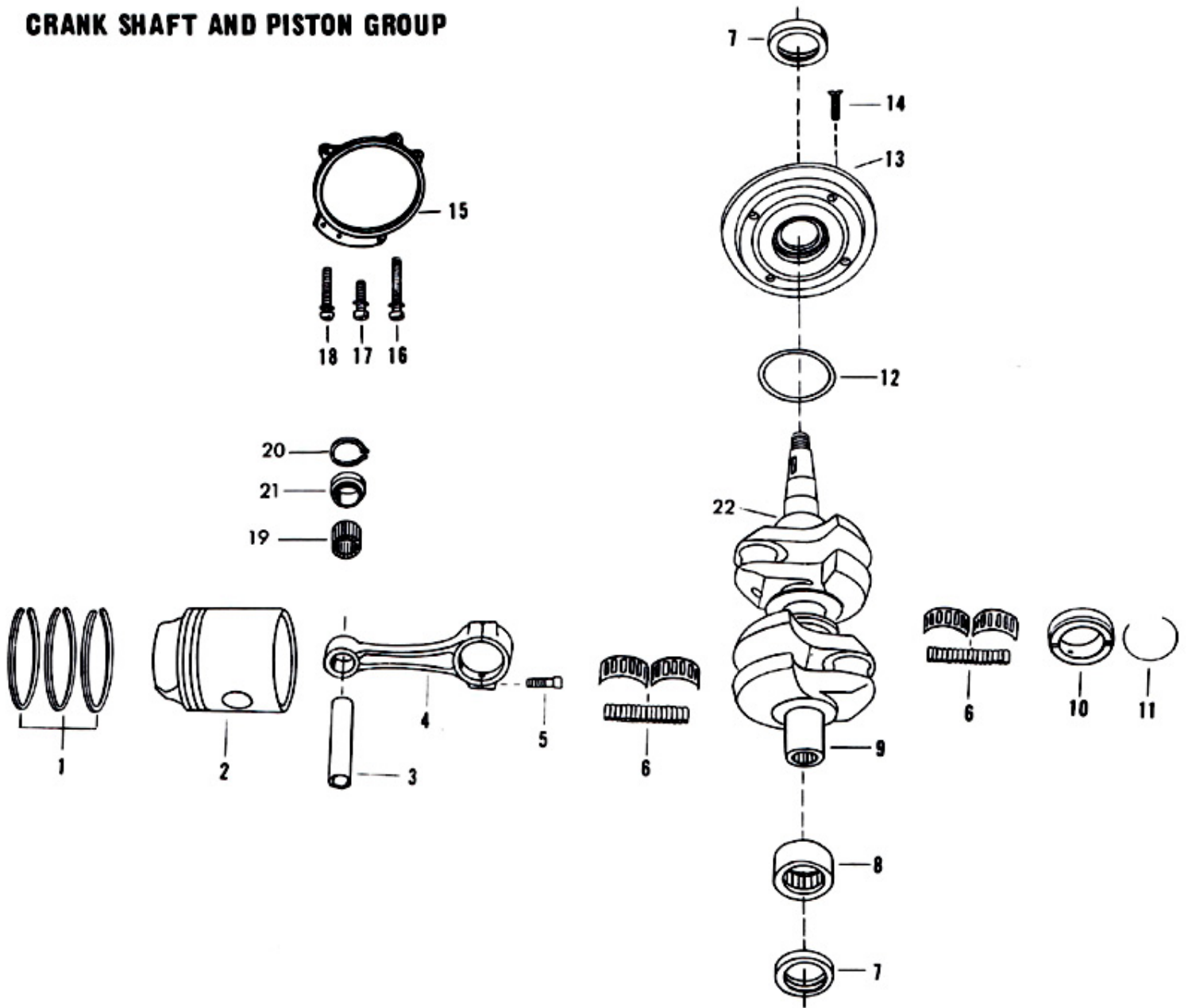
ILLUS. NO.	PART NO.	QTY.	DESCRIPTION
1	* A353260	1	Piston ring set (6 per set)
2	* 377015	2	Piston w/piston pin bearing
3	* 40017-1	2	Piston pin
4	* 2A366016-2	2	Connecting rod w/cap and screws
5	* 85634	4	Connecting rod screw
6	* A85228	3	Bearing cage w/rollers (16 per set)
7	* 40146-1	2	Crankshaft seal
8	* 90014	1	Crankshaft lower main bearing
9	* A366018	1	Crankshaft w/bearing
10	* A40655	1	Crankshaft center main bearing w/snap ring
11	* 40410	1	Snap ring
12	40278	1	Bearing cage seal
13	A338144	1	Crankshaft bearing cage w/seal
14	1158	4	Flat hd screw, 1/4 - 20 x 7/8
15	366082	1	Magneto stator ring
16	1812	2	Fill hd screw w/lockwasher, 10 - 24 x 1 9/16
17	1080	1	Fill hd screw w/lockwasher, 10 - 24 x 3/4
18	1813	1	Fill hd screw w/lockwasher, 10 - 24 x 1 1/8
19	335217	2	Piston pin bearing
20	90096	4	Piston pin retainer
21	366215	4	Spacer
22		1	Crankshaft thrust bearing upper, not sold separately, contact factory for authorization to return crankshaft to factory for bearing replacement

\* Indicates Contents of Cylinder Complete. Also Refer to Power Head Page.

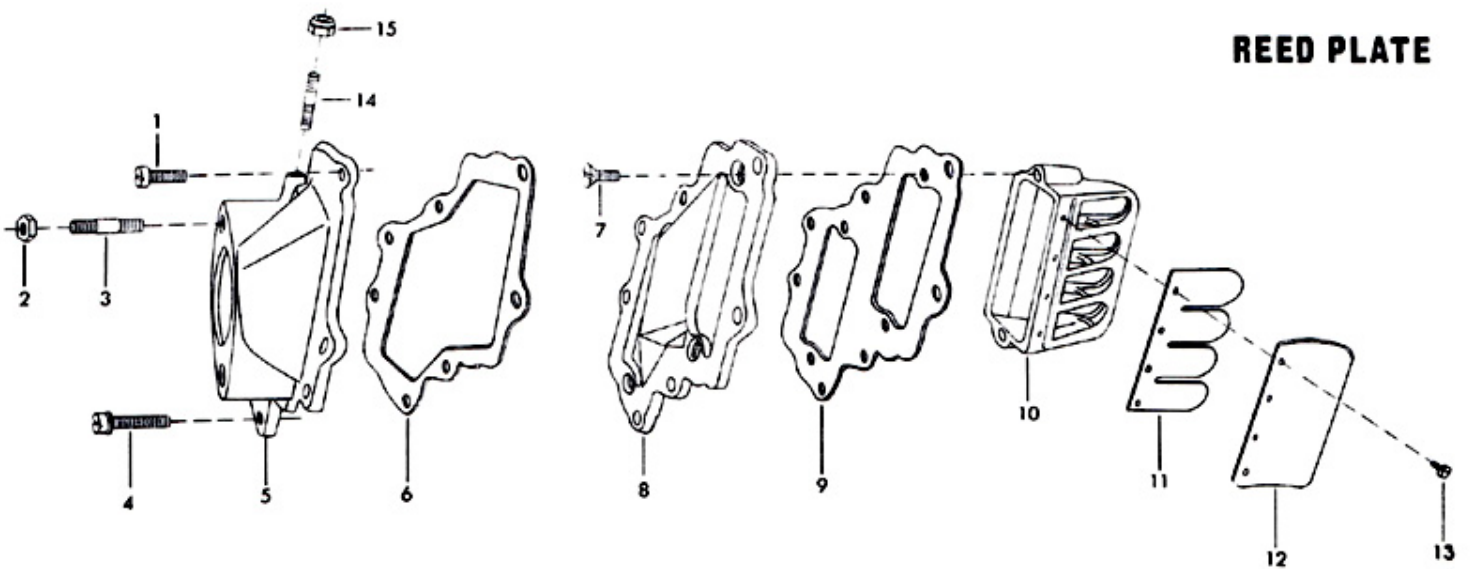
## Reed Plate

ILLUS. NO.	PART NO.	QTY.	DESCRIPTION
1	1240	5	Hex hd screw, 1/4 - 20 x 7/8
2	1516	2	Hex nut, 5/16 - 18
3	40209	2	Carburetor stud
4	1580	2	Fill hd screw w/lockwasher, 1/4 - 20 x 1 1/8
5	307167	1	Carburetor adapter flange
6	307168	1	Carburetor adapter gasket
7	1486	4	Flat hd screw, 1/4 - 20 x 5/8
8	88404-1	1	Deflector plate
9	307406	1	Deflector plate gasket
10	A88158-1	2	Reed plate w/reeds, stops and screws
11	88160	4	Reed
12	88161-2	4	Reed stop
13	1298	16	Rd hd screw w/lockwasher, 6 - 32 x 1/4
14	27209-1	1	Stud
15	7008	1	Stop nut, 1/4 - 20

# CRANK SHAFT AND PISTON GROUP



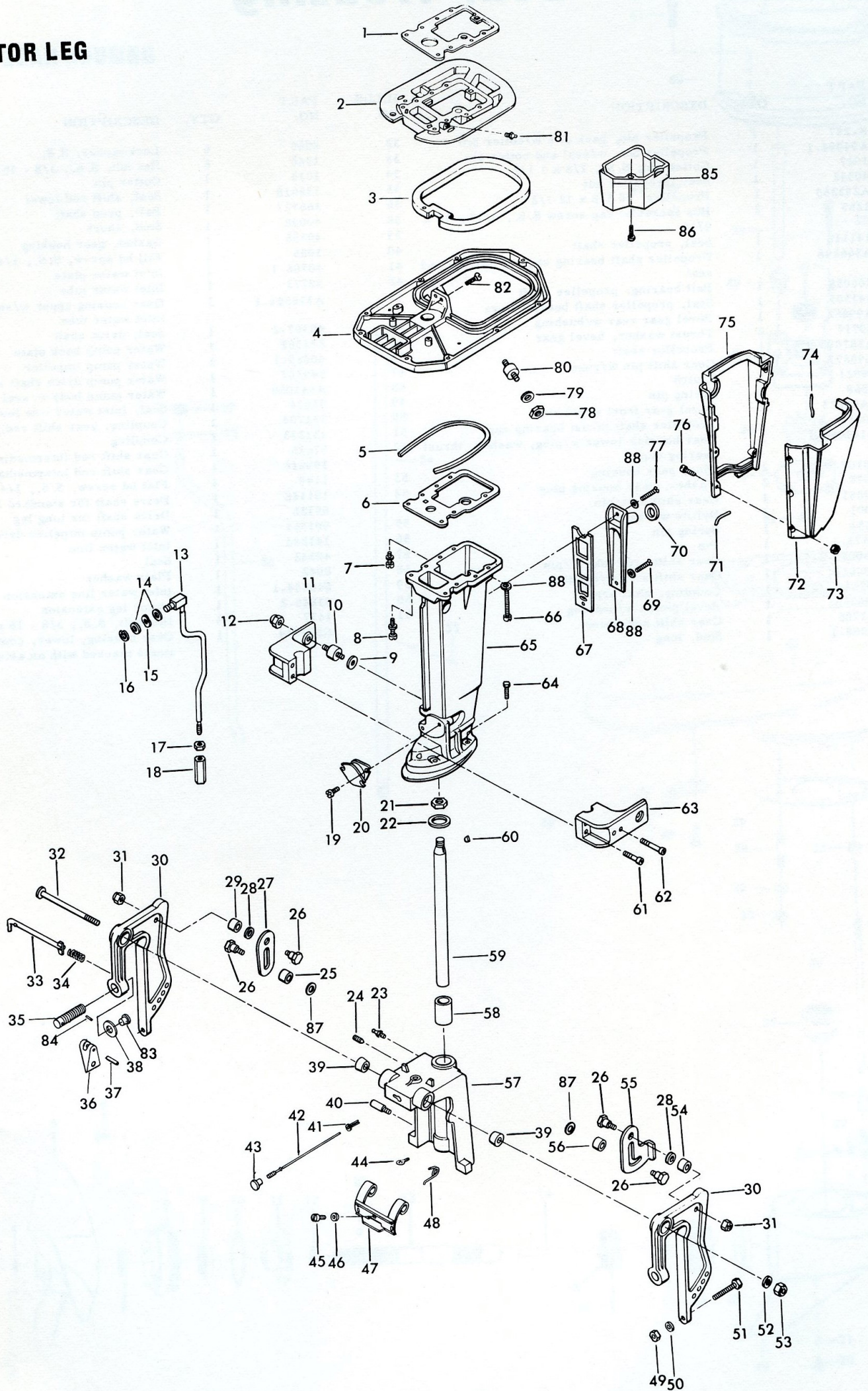
# REED PLATE



# Motor Leg

ILLUS. NO.	PART NO.	QTY.	DESCRIPTION	ILLUS. NO.	PART NO.	QTY.	DESCRIPTION
1	307279	1	Cylinder exhaust gasket upper	44	307487	1	Cable guide
2	307680-1	1	Spacer plate	45	1556	1	Fill hd screw, S.S., w/lock-washer, 10 - 24 x 3/8
3	307989	1	Seal, king pin plate	46	8011	1	Plain washer
4	307940	1	King pin plate	47	A88263-1	1	Reverse lock
5	307025	1	Dampening pad	48	88300	2	Reverse lock spring
6	307453-1	1	Cylinder exhaust gasket lower	49	1346	2	Hex nut, S.S., 3/8 - 16
7	1474	2	Fill hd screw w/lockwasher, 5/16 - 18 x 1 3/4	50	1904	2	Plain washer
8	1478	6	Fill hd screw w/lockwasher, 5/16 - 18 x 2	51	1593	2	Hex hd screw, S.S., 3/8 - 16 x 3
9	137416	2	Shock mount spacer	52	1656	1	Plain washer
10	A215962	2	Shock mount side lower w/spacer	53	7001	1	Elastic stop nut
11	203972-1	1	Shock mount lower cover, starboard	54	269929	1	Spacer, tilt stop
12	1326	2	Acorn nut, S.S., 5/16 - 18	55	269426	1	Tilt stop port
13	307615	1	Gear shift rod upper	56	269929	1	Spacer, tilt stop
14	8035	2	Plain washer	57	A345072	1	Swivel bracket w/bearings and grease fitting
15	8049	1	Bowed spring washer	58	191169-1	2	Swivel bracket bearing
16	185764	1	Retainer ring	59	A307019-1	1	King pin w/welch plug
17	1349	1	Hex nut, S.S., 5/16 - 18	60	9039	1	Woodruff key # 7, S.S.
18	141704	1	Gear shift rod coupling	61	1636	2	Hex socket hd cap screw, S.S., 3/8 - 16 x 1 1/4
19	1129	4	Fill hd screw, S.S., 5/16 - 18 x 1/2	62	1635	2	Hex socket hd cap screw, S.S., 3/8 - 16 x 3 1/2
20	183346	1	Shock mount, lower	63	203973-1	1	Shock mount lower cover, port
21	84280	1	King pin nut	64	1477	4	Hex hd cap screw, S.S., 3/8 - 16 x 1 9/16
22	89011	1	Swivel bracket washer	65	307133-2	1	Motor leg
23	213274	1	Grease fitting	66	1476	1	Fill hd screw, 1/4 - 20 x 1 1/8
24	1659	1	Socket hd set screw, oval point, 1/4 - 28 x 1/4	67	40833-3	1	Motor leg exhaust cover gasket
25	269929	1	Spacer, tilt stop	68	89832-2	1	Motor leg exhaust cover
26	269350	4	Tilt stop pivot	69	1199	1	Hex hd screw, 1/4 - 20 x 1
27	269433	1	Tilt stop, starboard	70	89504	1	Grommet motor leg exhaust cover
28	1666	2	Bowed spring washer	71	89323	2	Packing, leg cover lower
29	269929	1	Spacer, tilt stop	72	89135-4	1	Motor leg cover port
30	A338532-1	2	Stern bracket w/clamp screw	73	1473	6	Hex nut, 10 - 24
31	1515	2	Hex nut	74	89321	2	Packing, leg cover upper
32	93037	1	Stern bracket pivot bolt	75	89145-4	1	Motor leg cover starboard
33	A338113	1	Stern bracket lock bar w/end and spring	76	1088	6	Fill hd screw, 10 - 24 x 9/16
34	213380	1	Spring, lock bar	77	1849	1	Hex hd screw, S.S., 1/4 - 20 x 1 3/8
35	A338073	2	Clamp screw w/foot	78	1346	2	Hex nut, 3/8 - 16
36	53075-1	2	Clamp screw handle	79	8038	2	Plain washer
37	1638	2	Spring pin	80	307962	2	Shock mount
38	24074	2	Screw foot	81	2738314-1	1	Drain fitting
39	93928	2	Stern bracket friction cone	82	1160	2	Flat hd screw, 1/4 - 28 x 5/8
40	88350	2	Reverse lock pin	83	66480	2	Stud
41	85884	1	Detent, reverse lock release	84	8557	2	Spring pin
42	A307586	1	Reverse control release wire	85	307660-1	1	Tube leg exhaust for standard shaft models serial no.'s 10201 and up, and long shaft models serial no.'s 10027 and up
43	91507	1	Knob	86	1851	3	Fill hd screw w/lockwasher 10 - 24 x 1/2 for standard shaft models serial no.'s 10201 and up, and long shaft models serial no.'s 10027 and up
				87	8032	2	Plain washer
				88	8083	3	Spring lockwasher

# MOTOR LEG

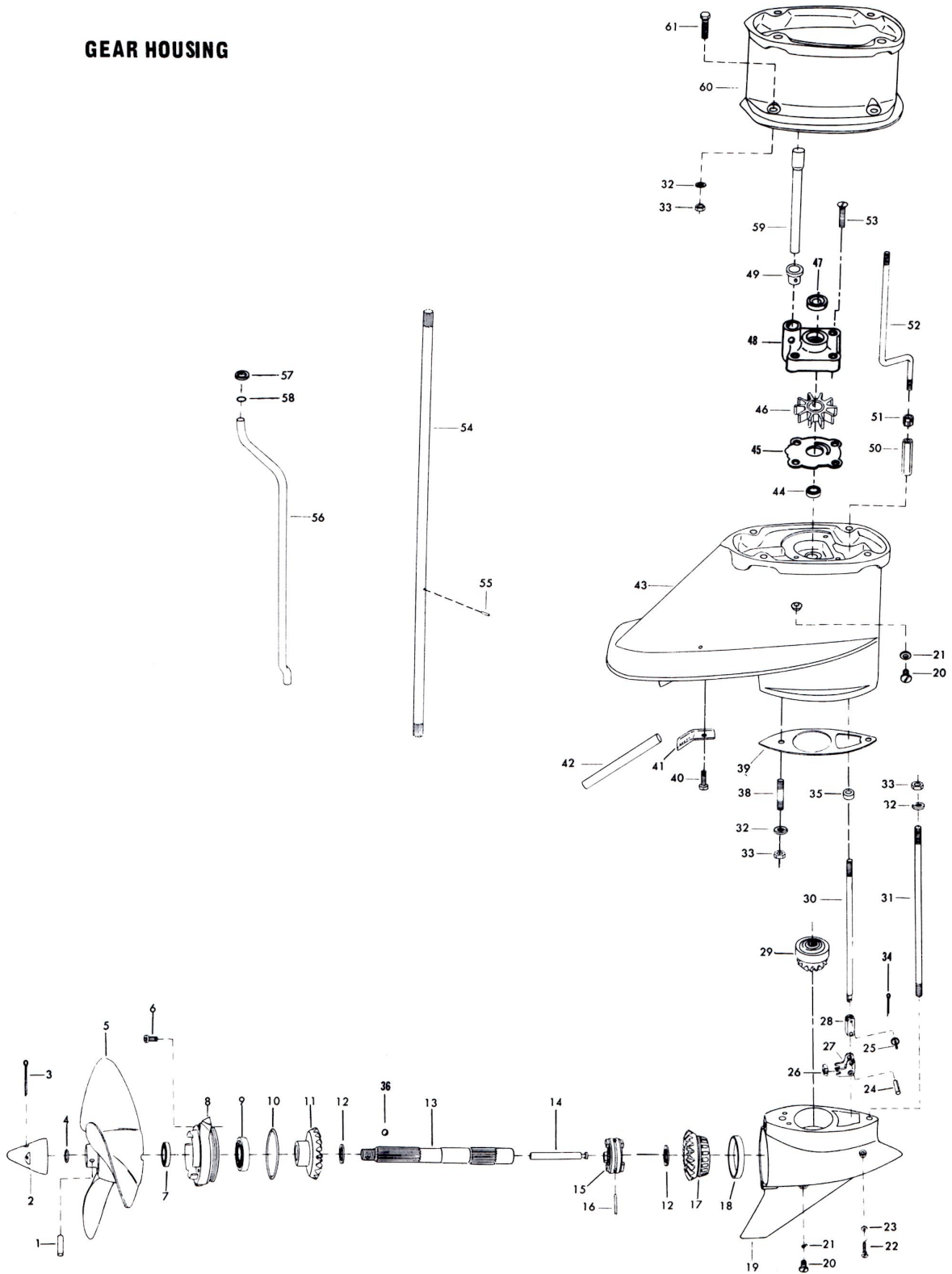


# Gear Housing

PART NO.	QTY.	DESCRIPTION	ILLUS. NO.	PART NO.	QTY.	DESCRIPTION
K-247	1	Propeller pin, pack of 6 w/cotter pin	32	8065	6	Lockwasher, S.S.
A94094-1	1	Propeller nut, w/seal and cotter pin	33	1346	6	Hex nut, S.S., 3/8 - 16
1027	1	Cotter pin, S.S., 1/8 x 1 1/2	34	1015	1	Cotter pin
40342	1	Seal, propeller nut	35	338618	1	Seal, shift rod lower
A293265	1	Propeller, 10 3/8 x 12 1/2	36	366727	1	Ball, prop shaft
* 1263	2	Hex socket hd cap screw S.S., 5/16 - 18 x 9/16	38	40008	1	Stud, short
141118	1	Seal, propeller shaft	39	40555	1	Gasket, gear housing
* A366298	1	Propeller shaft bearing cage w/bearing and seal	40	1055	1	Fill hd screw, S.S., 1/4 - 20 x 1
* 366058	1	Ball bearing, propeller shaft	41	40706-1	1	Inlet water plate
* 141305	1	Seal, propeller shaft bearing cage	42	40773	1	Inlet water tube
* A99662	1	Bevel gear rear w/bushing	43	A338554-1	1	Gear housing upper w/seal, washer, plug inlet water tube
* 40717	2	Thrust washer, bevel gear	44	40307-2	1	Seal, drive shaft
* A287098-1	1	Propeller shaft	45	341562	1	Water pump back plate
* A90871-2	1	Gear shift pin w/yoke	46	40065-1	1	Water pump impeller
* 99521	1	Clutch	47	349307	1	Water pump drive shaft seal
* 8568	1	Spring pin	48	A341060	1	Water pump body w/seal
* 2A99023	1	Bevel gear front w/bearing	49	93914	1	Seal, inlet water line lower
* 40250	1	Propeller shaft thrust bearing cup	50	331704	1	Coupling, gear shift rod, lower
* A141054-1	1	Gear housing lower w/plug, washer, thrust bearing cup	51	331273	1	Coupling
* 50109	2	Plug, gear housing	52	97616	1	Gear shift rod intermediate, for standard leg
* 8077	2	Washer, gear housing plug	53	109616	1	Gear shift rod intermediate, for long leg
* 90891	1	Gear shift arm pin	54	1149	4	Flat hd screw, S.S., 1/4 - 20 x 1 1/4
* 8001	1	Nyltite washer		191128	1	Drive shaft for standard leg
* 8554	1	Spring pin	55	89128	1	Drive shaft for long leg
*90372-1	1	Pin	56	901563	1	Water pump impeller drive pin
* A90871-2	1	Gear shift arm yoke w/pin	57	141244	1	Inlet water line
* A90621	1	Gear shift arm w/bushing	58	40342	1	Seal
* 90263	1	Coupling, shift arm	59	8042	1	Plain washer
* A46266	1	Bevel pinion w/bearing	60	S40244-1	1	Inlet water line extension
* 311705	1	Gear shift rod lower	61	93845-2	1	Motor leg extension
97008-1	1	Stud, long		1477	4	Hex bolt, S.S., 3/8 - 16 x 1 - 9/16
				C287054	1	Gear housing, lower, complete, includes all items marked with an asterisk (*)

Order by Part Number and Name, giving Motor, Model and Serial Number

### GEAR HOUSING

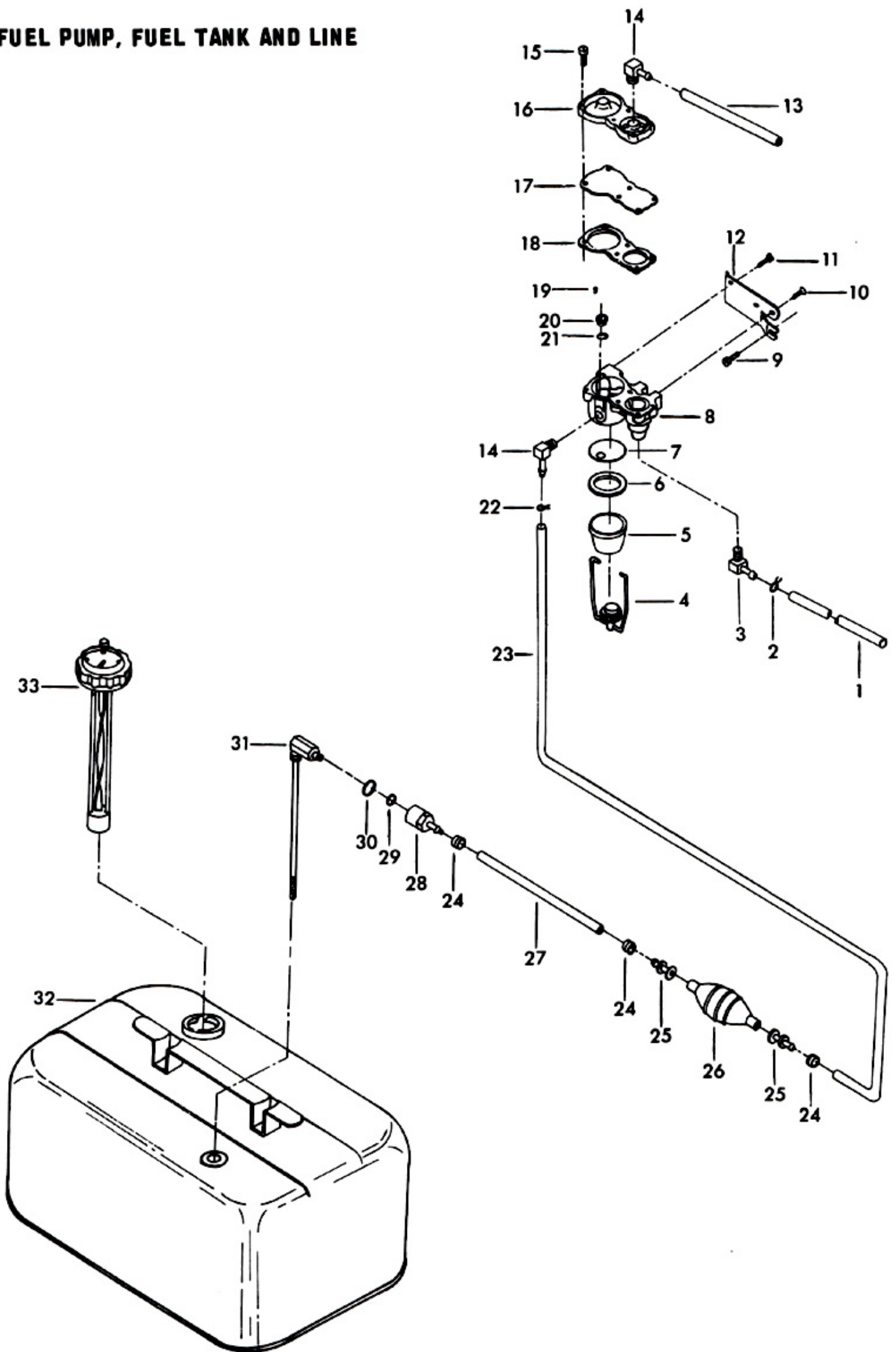


# Fuel Pump, Fuel Tank and Line

ILLUS. NO.	PART NO.	QTY.	DESCRIPTION
1	A90753	1	Fuel line , pump to carburetor
2	2706772	2	Fuel line clamp
3	40314-1	1	Elbow
4	A89650	1	Fuel sediment bail and nut
5	89500	1	Fuel sediment bowl
6	84617	1	Fuel sediment bowl gasket
7	84653	1	Fuel sediment bowl screen
8	A366431	1	Fuel pump body w/valves
9	1578	1	Hex slot hd screw , 1/4 - 20 x 7/8
10	1156	1	Flat hd screw , 1/4 - 20 x 1/2
11	1241	2	Hex hd screw , 1/4 - 20 x 9/16
12	201432	1	Fuel pump mounting bracket
13	89758	2	Fuel pump air hose
14	84314	3	Elbow
15	1050	6	Fill hd screw , 10 - 24 x 1
16	84746	1	Fuel pump cover
17	A84747	1	Fuel pump diaphragm w/gasket
18	84760	1	Fuel pump gasket
19	1860	2	Rd hd screw , 6 - 32 x 1/4
20	177330	3	Fuel pump valve
21	84792	3	Fuel pump valve gasket
22	97772	1	Fuel line clamp
23	A197752-1	1	Fuel line long w/clamps
24	298788	3	Ferrule
25	298769-1	2	Prime bulb adapter
26	A298766-1	1	Fuel line prime bulb
27	A84754-1	1	Fuel line w/clamps
28	197787-2	1	Fuel line coupler
29	213735	1	Seal, fuel line coupler (small)
30	213342	1	Seal, fuel line coupler (large)
31	307755	1	Fuel tank adapter
32	76034-2	1	Fuel tank, no cap or gauge
33	213251	1	Fuel tank gauge cap
	A178752	1	Fuel supply line complete w/coupler
	224394-3	1	Decal, fuel mixture (not shown)



# FUEL PUMP, FUEL TANK AND LINE



# Specifications

**HORSEPOWER** -- 35 O.B.C. Certified Brake H.P. at 4750 R.P.M.

**MOTOR** -- Two-Cycle, Twin Cylinder Alternate Firing.

**BORE AND STROKE** -- 3" Bore x 2.540" Stroke.

**DISPLACEMENT** -- 35.9 Cubic Inches.

**CONNECTING RODS** -- Forged Nickel Steel, Caged Roller Bearings at Crankshaft. Cased Needle Bearings at Piston Pin.

**CRANKSHAFT** -- Forged Nickel Steel. Ball Bearings at Upper Main. Caged Roller Bearings at Center and Lower Mains.

**CORROSION PROTECTION** -- Alodine Treated Castings, Stainless Steel Drive Shaft, Propeller Shaft, Gear Shift Rod and Underwater Fasteners.

**PROPELLER** -- Aluminum Alloy, 10 - 3/8 Dia x 11-1/2 Pitch. Right Hand Rotation.

**FUEL TANK** -- Separate Steel Tank, 6 U.S. Gallons.

**FUEL SYSTEM** -- Vacuum-Type Fuel Pump, Float Feed Carburetor with Fixed High Speed Jet and Adjustable Low Speed Jet.

**FUEL FILTERS** -- Filter Screen in Fuel Tank and Fuel Pump.

**COOLING** -- Water Cooled, Positive Displacement Type Water Pump.

**TRANSOM HEIGHT** -- 15".

**WEIGHT** -- 130 Pounds For Standard Shaft Models.

**PROPELLER SHAFT AND DRIVE SHAFT** -- Stainless Steel, Hardened, Ground and Polished.

**TILT LOCK** -- Positive Tilt Lock Permits Engine to Remain in Tilted Position When Not in Use.

**RECOMMENDED OPERATING RANGE** -- 4400-5100 RPM

# Lubrication Chart

**UPPER AND LOWER GEAR HOUSINGS** -- Check After Every Thirty Hours of Operation and Replace After Every 100 Hours with a Non-Corrosive Leaded Outboard Gear Oil - Texaco Outboard Gear Oil - EP90 or Equivalent. Do Not Use Corrosive Hypoid Oil Under Any Circumstances.

**CONTROL LINKAGE** -- Lubricate All Moving Parts and Control Linkage with Rykon #2EP, Part No. K-65, Twice Each Season or Oftener if Required.

**STERN BRACKET** -- Lubricate Stern Bracket and Associated Parts With Rykon #2EP, Part No. K-65, Twice Each Season or Oftener if Required.

**GREASE FITTINGS** -- Grease Fittings Are Provided at Critical Points Where Bearing Surfaces Are Not Exposed Externally. Using an Automotive-type Grease Gun and Lubricant, Grease Twice Each Season or Oftener if Required.

**STARTER PINION GEAR** -- Lubricate With Rykon #2EP, Part No. T-2961, Twice Each Season or Oftener if Required.

# Special Adjustments

**BREAKER POINT GAP** -- .20".

**SPARK PLUG** -- Champion L-4-J, Gap .030".

**FLYWHEEL NUT** -- Torque to 75 Foot Pounds.

**CYLINDER HEAD BOLT** -- Torque to 270 Inch Pounds.

**POINT OF THROTTLE OPENING** --

1. Unsnap Ball Joint Connector From Throttle Tower Shaft
2. With Throttle Shutter in Carburetor Closed, Adjust Eccentric Screw Holding Throttle Roller to Throttle Shaft so that Pick-up Line on Lower End of Throttle Cam is Exactly Centered on Throttle Roller.
3. Advance Throttle Tower Shaft and Throttle Cam to Full Advance Position. (Throttle Shutter Horizontal)
4. Adjust Ball Joint Connectors Until spacing is identical to Spacing Between Connector Stud on Throttle Cam and Throttle Tower Shaft.
5. Snap Connector in Place on Throttle Tower Shaft.

Form No. 60H-960B\*